



PRODUCT DATASHEET

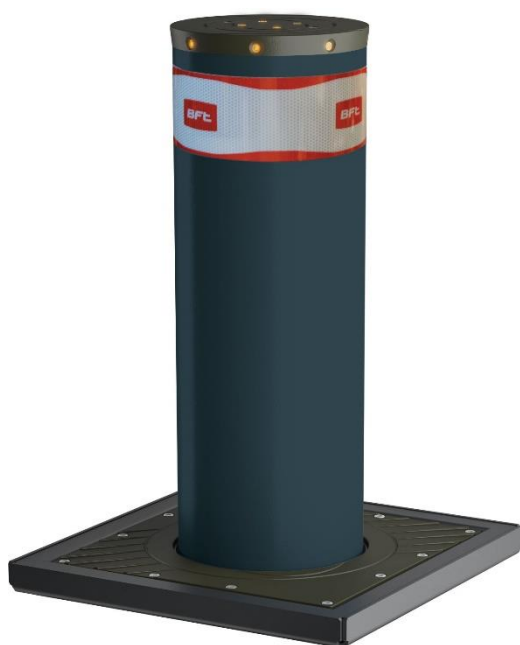
XPASS B 275/800

Anti-terrorist bollard

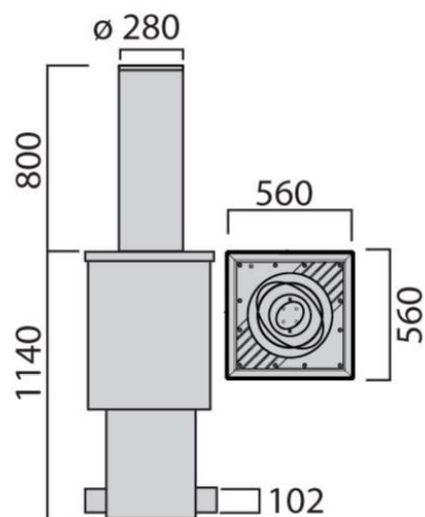
Anti-terrorist bollards tested and certified (crash-tested) by an independent body according to standards PAS 68:2010 7500/50/N2 crash simulated (formerly K4, single bollard).

Anti-terrorist protection guaranteed even with a single bollard.

Independent hydraulic pump for each bollard, in case of a control unit failure the other bollards remain functional and operations can continue.



XPASS B
275/800





SPESIFIKASJON		
	XPASS B 275/800C L	XPASS B 275/800C L LSD
Operator	Hydraulic bollard	Hydraulic Bollard
Voltage	230 V	230V
Shaft height	800 mm	800 mm
Thickness	10 mm	10 mm
Shaft diameter	275 mm	275 mm
Rising time	7 sec	7 sec
Shaft treatment*	RAL 7015 painted steel and reflective film h: 100mm	RAL 7015 painted steel and reflective film h: 100mm
Lowering time	4 sec	4 sec
Control unit	Perseo CBE 230.P SD	Perseo CBE 230.P SD
Breaking resistance	730000J	730000J
Frequency of use	2000 op/day	2000 op/day
Antiterrorism reference standard	Pas 68:2010 7500/50/n2 crash simulated	Pas 68:2010 7500/50/n2 crash simulated
Type of limit switch	Reed magnetic sensor	Reed magnetic sensor
Manual operation	reversible with no power	Reversible with mechanical key with no power
Ambient conditions	-40 to +60 °C	-40 to +60 °C

*If the code contains LI: LI=AISI 304 or AISI 316 steel on request

