

TRAFFIC REMOVABLE BOLLARDS

partially submerged



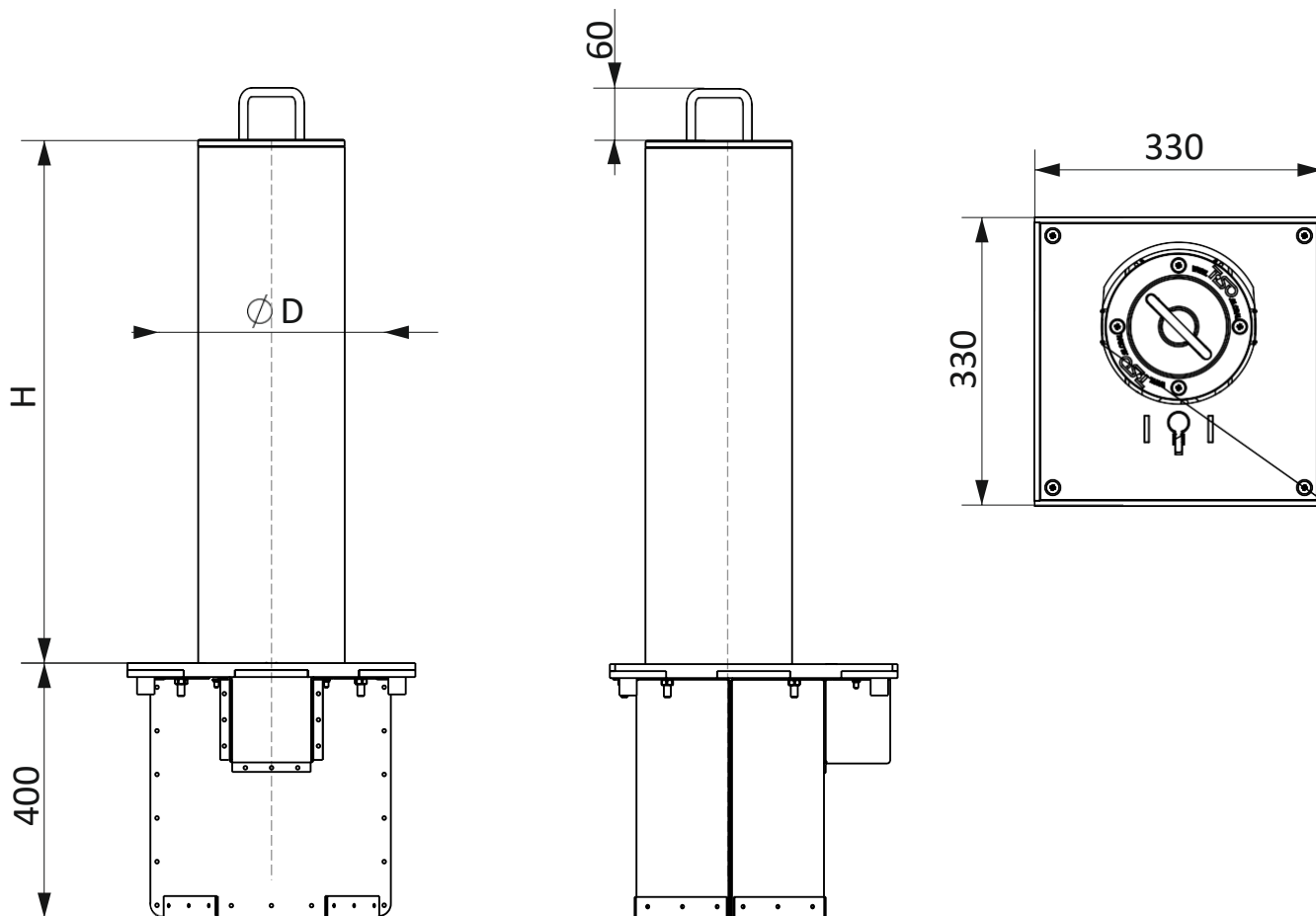
RELIABLE, PRACTICAL AND COST-EFFECTIVE SOLUTION TO
PROVIDE 100% SECURITY OF YOUR TERRITORY

TiSO removable traffic bollards are one more interesting solution for vehicle access control management. The main difference to regular fixed/static bollards determined by mobility which provides free driveway in case of necessity. To get bollard unlocked, the only thing which has to be done is a simple turn of a key. The range of removable bollards available in different dimensions, blocking heights, tube's materials, and diameters. The installation depth is 315 mm.

Intended for vehicle access control with little traffic intensity.

Installation areas

- Governmental Institutions
- Military Bases
- Nuclear Power Plants
- Production sites (Industrial Plants)
- Commercial areas
- Financial institutions
- Airport Premises
- Business (Office) Center
- Hotels
- Sport Complexes
- Recreation areas
- Urban areas
- Education Institutions



TECHNICAL SPECS:

Model	RB345-03	RB345-02	RB345-15	RB345-01	RB345-06	RB345-05	RB345-04	RB345-18
Tube diameter (D), mm	114	170	220	273	114	170	220	273
Tube height (H), mm	600				800			
Wall thickness, mm	3	4			3	4		
Installation depth, mm	400							
Materials	Brushed stainless steel AISI 304 Brushed stainless steel AISI 316 Galvanized and powder coated tube (any RAL up on request)							