



Skredderveien 142
N-1537 Moss

+47 466 50 500
post@bbmoss.no

www.bbmoss.no

AUTOMATIC TRAFFIC BOLLARDS



RELIABLE, PRACTICAL AND COST-EFFECTIVE SOLUTION TO
PROVIDE 100% SECURITY OF YOUR TERRITORY

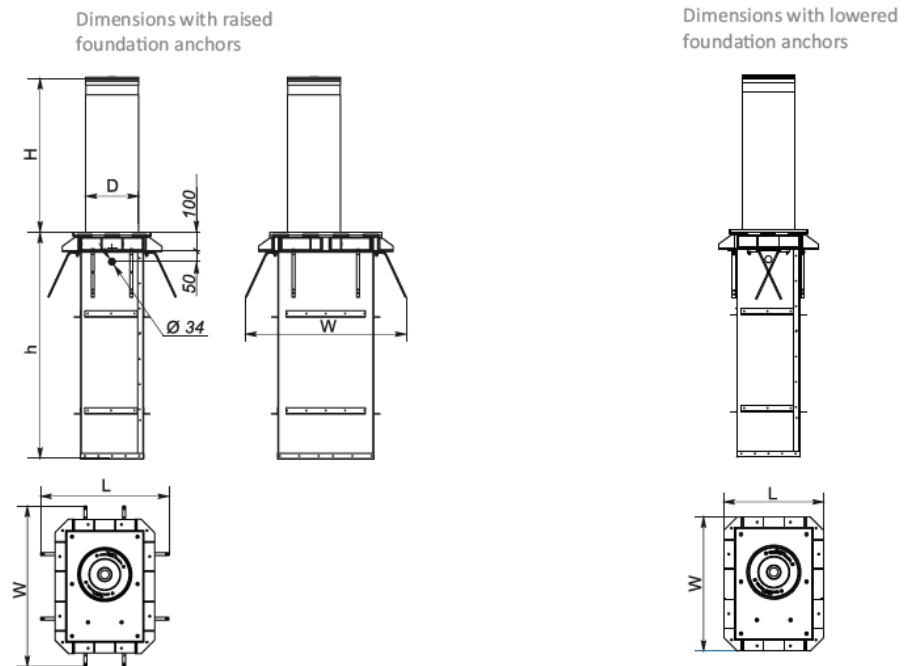
TiSO automatic parking bollards is the most demanded part of traffic barriers range, due to wide project applicability and installation simplicity. This type of TiSO equipment is engineered in order to provide maximum operation durability. Range of TiSO automatic parking bollards include two types:

- 1) blocking segment with built in hydraulic unit and outside PLC;
- 2) blocking segment with outside control box including HPU and PLC in it.

Also the range is classified according to rising heights, tube's materials, diameters etc. Large amount of available accessories enables equipment operation under severe climate circumstances, both extreme above and below 0 C° temperatures. Having no high security features, parking bollards is the perfect choice for installations at private and other areas without strict requirement to antiterrorism protection. All equipment is designed and tested for high intensity operation.

Installation areas

- Governmental Institutions
- Military Bases
- Nuclear Power Plants
- Production sites (Industrial Plants)
- Commercial areas
- Financial institutions
- Airport Premises
- Business (Office) Center
- Hotels
- Sport Complexes
- Recreation areas
- Urban areas
- Education Institution



Technical Specs:

Model	RB343-21	RB343-23	RB349-11	RB349-12	RB343-24	RB343-26	RB349-14	RB349-15
Drive	Hydraulic (HPU)							
Tube diameter (D), mm	114	170	220	273	114	170	220	273
Tube height (H), mm	600				800			
Foundation case dimensions (LxWxH), mm								
• raised foundation anchors	560x715x980	610x760x980	660x835x980	560x700x1170	610x755x1170	660x830x1170	515x695x1170	660x830x1170
• lowered foundation anchors	450x560x980	460x608x980	550x688x980	415x565x1170	425x615x1170	515x695x1170	515x695x1170	515x695x1170
Wall thickness, mm	3	5	4	8	3	5	4	8
Impact resistance, J	10000	35000	40000	80000	15000	35000	45000	85000
Breakout resistance, J	60000	155000	160000	580000	65000	155000	165000	585000
Axle load, mm	15							
Rising speed, mm/sec	7,4		8,0		7,5		10,0	
Lowering speed, mm/sec	4,5		6,0		4,5		6,0	
Operation temperatures**, °C	-40 / +60							
Power supply	1 phase 230V, 50/60 Hz							
Protection level	IP 67 (for bollard) IP 55 (for control box)							
Tube material	Brushed stainless steel AISI 304 Brushed stainless steel AISI 316 Galvanized and powder coated tube (any RAL up on request)							

*Technical data is subject to change without notice

** For for temperatures lower than -10 °C use the heating device; for temperatures higher than +40 °C use the cooler device