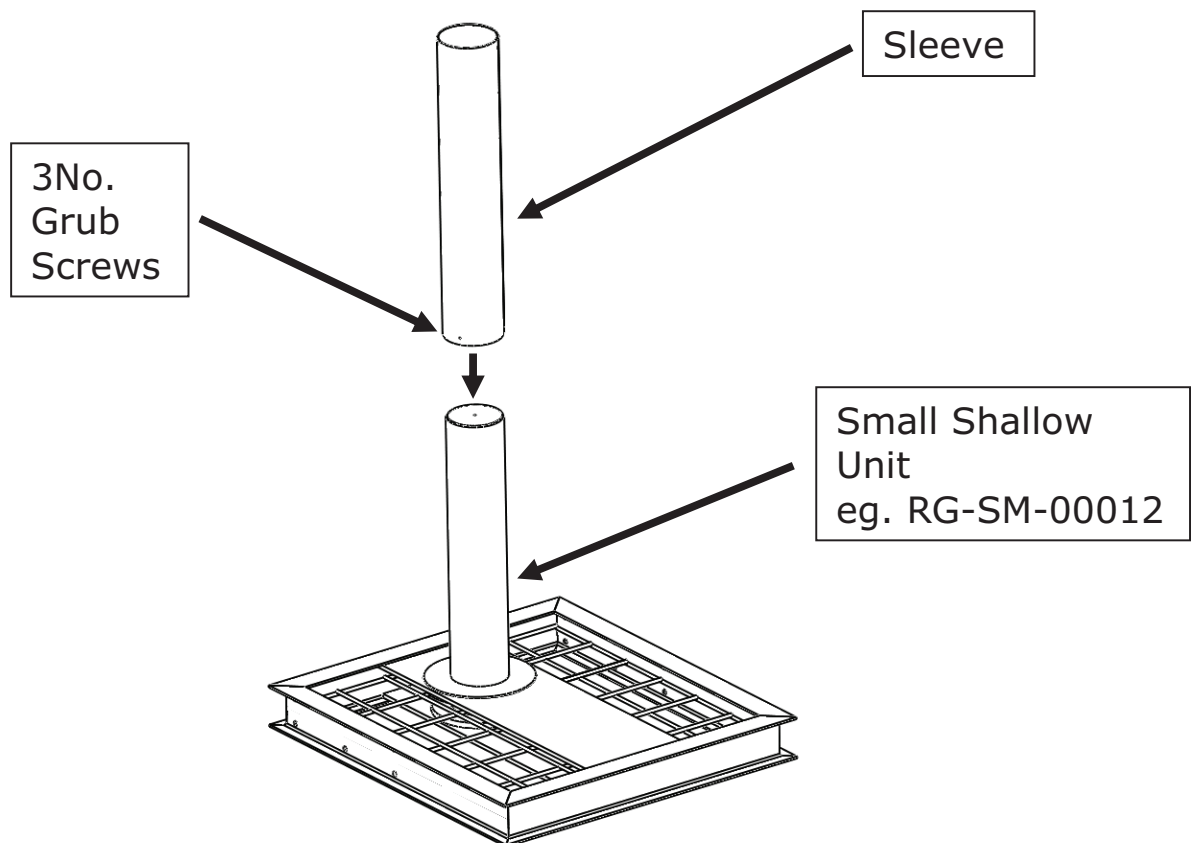


RhinoGuard 75/30 Bollard

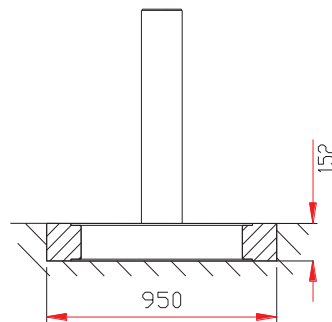
Bollard Assembly



Installation Instructions

1. Fit bollard sleeve over bollard core and push until fully lowered
2. Fit grub screws through holes in sleeve, and tighten
3. Check sleeve is level
4. Clean (if required) in accordance with attached documents
5. Note that paving materials will have to be cut around the bollard

Standard Foundation Mounting



Foundation Installation

1. Excavate suitable foundations for the shallow mount foundation
2. Connect lifting equipment to each unit and lay in position (see fig.1) NB all lifting equipment must be suitable for lifting the foundation units



Figure 1 – Shallow Mount Units in Position

3. Fasten the sections together with studding, nuts, and washers (see fig.2).

RhinoGuard 75/30 Shallow
Foundation Bollard



Figure 2 – Connecting Bars fastening Foundation Units

4. Cast concrete mass around the shallow mount foundation (see fig.3)



Figure 3 – Concrete poured into Foundation Installation

5. Allow the concrete to cure
6. Finish the top level of the foundation units in accordance with site requirements.

Refer to Marshalls foundation drawing PAS 68.FO.0007 for full details of foundation installation

IMPORTANT NOTICE:

Ensure that stainless steel is protected during site cutting of stone – contamination from disc cutters will produce corrosion on stainless steel components.